

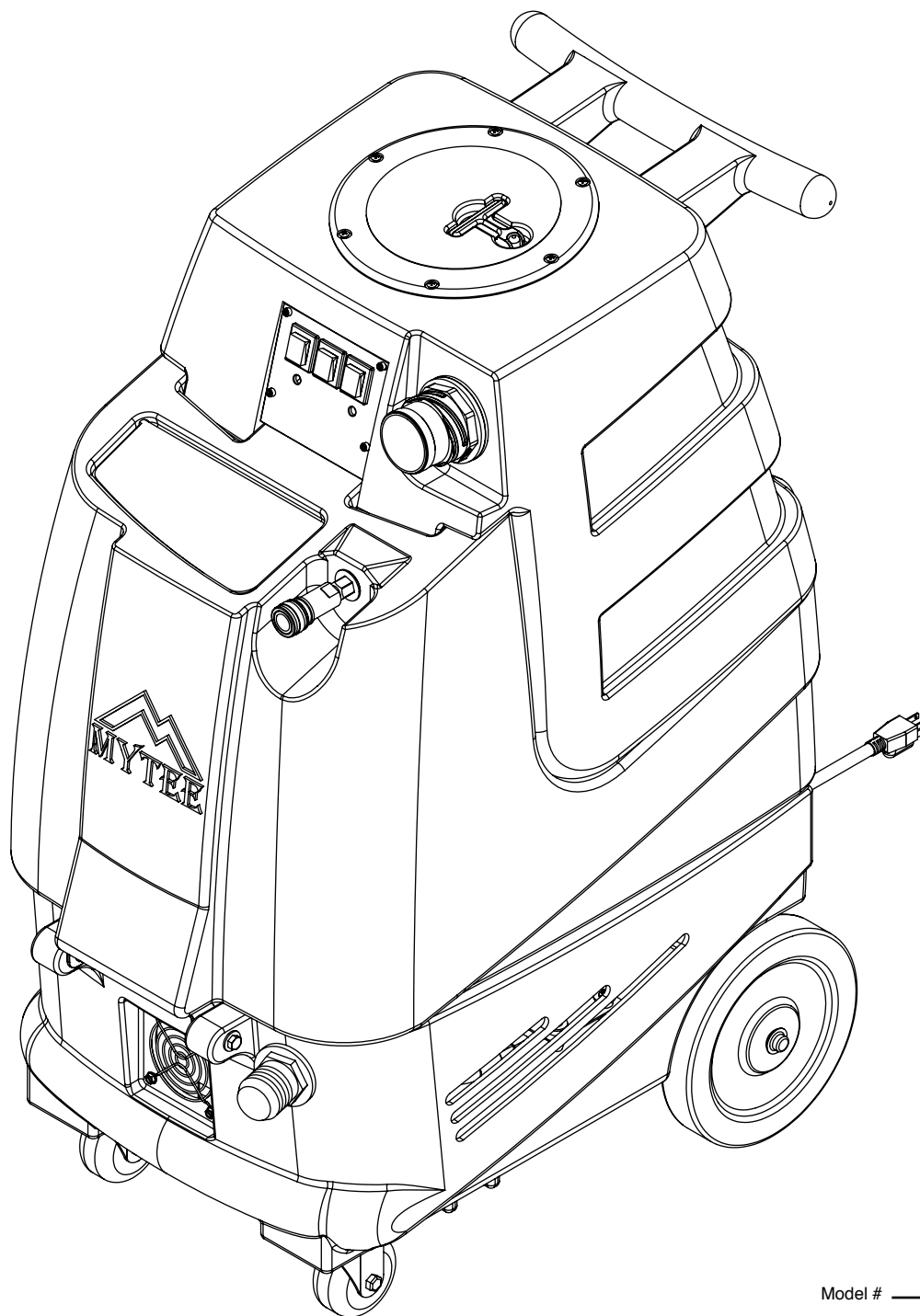
Instructions for HP100 Grand Prix™



Please read before use.



Register your product
at <http://www.mytee.com/support/register>



Set up p. 3
General information p. 6
Parts & pricing p. 9
Wiring diagram p. 11
Notes p.12

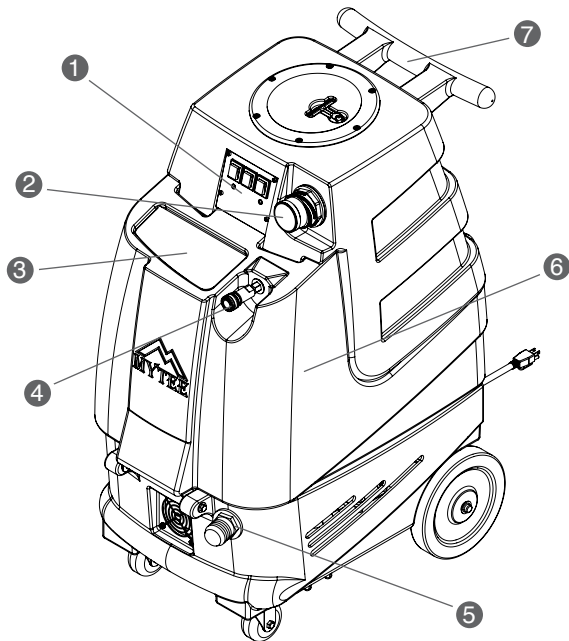
Model # _____

Serial # _____

Form # ADM-HP100

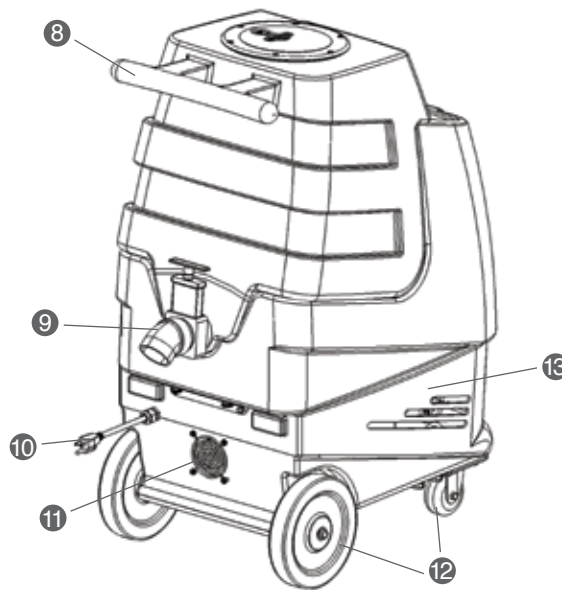
2-13

HP100 GRANDPRIX™ FRONT



- 1. Waist high controls
- 2. 2" Male Cuff-Lynx™
- 3. Solution tank lid
- 4. Female quick disconnect
- 5. Blower attachment
- 6. Solution tank
- 7. Push handle

HP100 GRANDPRIX™ BACK

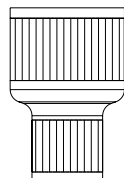


- 8. Easy open lid
- 9. Bucket-high drain valve
- 10. Single 25' power cord
- 11. Vent guard
- 12. Quality 8" wheels and 3" locking casters
- 13. Motor base housing

ACCESSORIES



8400 - 3" Stainless Steel Upholstery Tool



H122 - Cuff-Lynx™ 1 / 1/4" reducer



H226 Drain Elbow

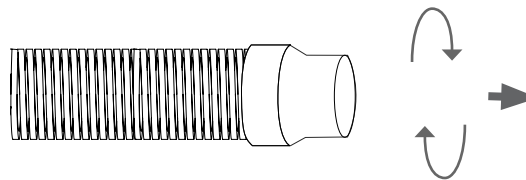


8501 - 15' 1-1/4" Vac/Sol Hose

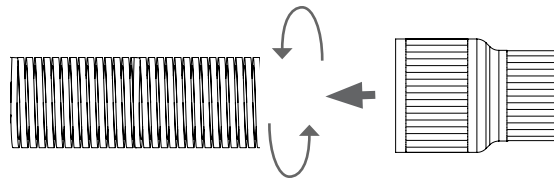


H375 - Hose Hanger (4) screws

REPLACING HOSE CUFFS WITH CUFF-LYNX™



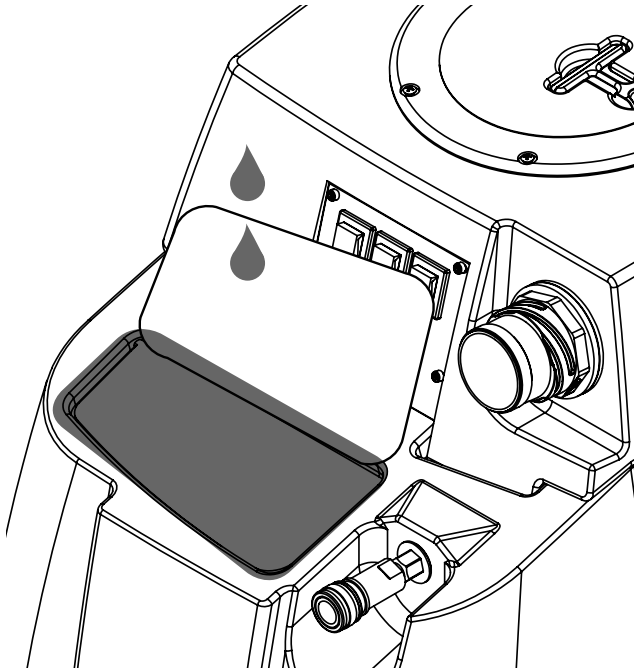
Twist clock-wise to remove standard cuffs.



Twist counter clock-wise to attach Cuff-Lynx™ to vac. hose.

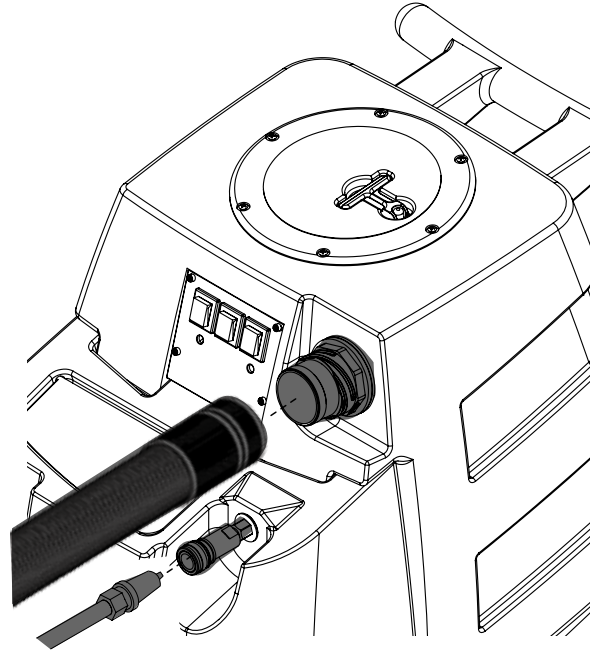
Now that you have your GrandPrix™, you will need to replace the cuffs on your vacuum hose. To remove old cuffs, twist clock-wise. To attach reducer Cuff-lynx™ to vacuum hose twist counter clock-wise.

HP100 GRAND PRIX™ FILL SOLUTION TANK



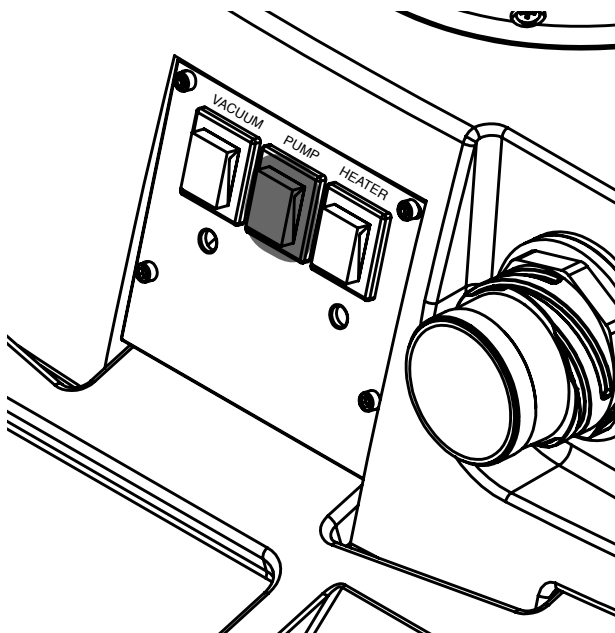
Lift lid to fill. For best results, fill with warm water (140° F).

HP100 GRAND PRIX™ VAC/SOL HOSE CONNECTIONS



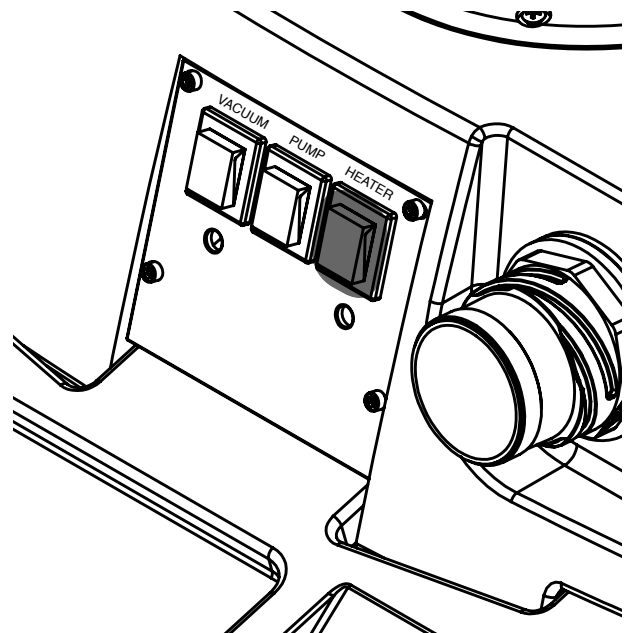
Attach one end of a solution hose to a wand or other tool, the other end to the Grand Prix™ front quick disconnect. Attach one end of a vacuum hose to the tool, the other end to the Grand Prix™ Cuff-Lynx™ vacuum hose port.

HP100 GRAND PRIX™ PUMP



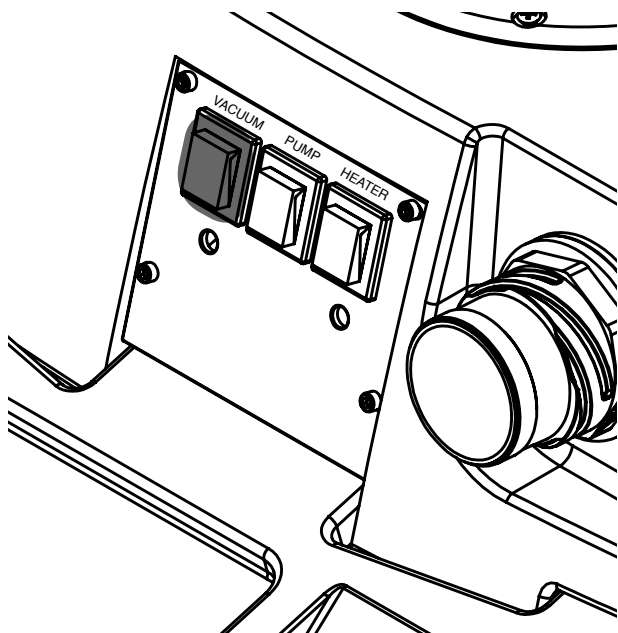
After the machine has been plugged into a 20 amp grounded outlet, turn on pump. Key tool until upholstery tool releases a steady flow.

HP100 GRAND PRIX™ HEATER



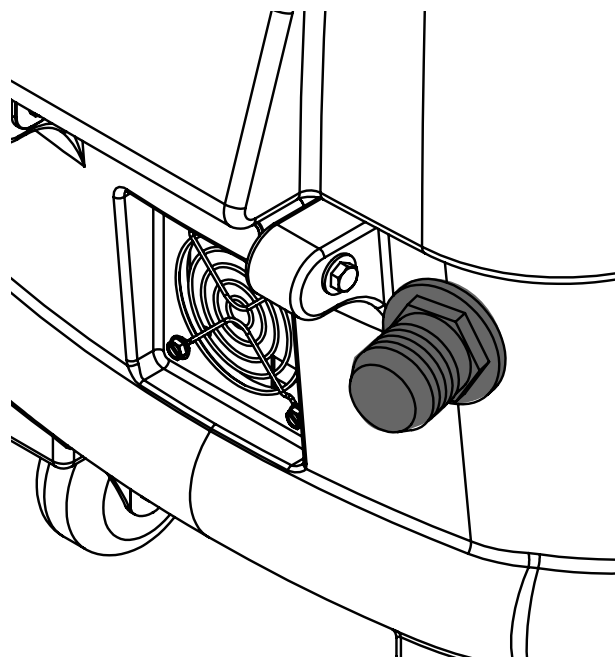
Release tool trigger. Turn on heater. Wait 8 – 10 minutes for unit to pre-heat. Once heated, re-key upholstery tool until hot water begins flowing. Once hot water is flowing, release trigger and pre-heat an additional 4 – 5 minutes.

HP100 GRAND PRIX™ VACUUM MOTOR



Turn on vacuum motor and begin cleaning. For best results make two dry passes to every wet pass.

HP100 GRAND PRIX™ BLOWER ATTACHMENT



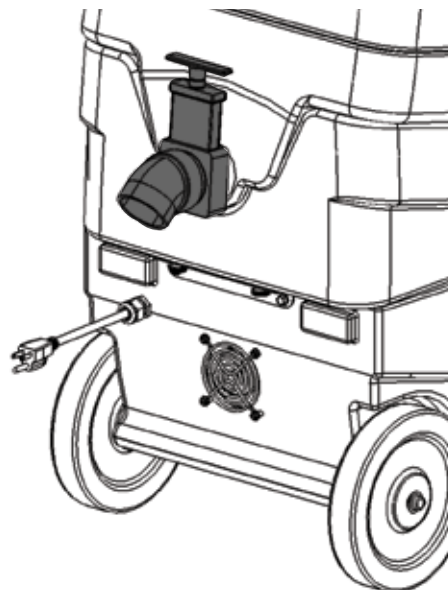
Connect blower attachment for drying (optional).

HP100 GRAND PRIX™ RECOVERY TANK



Add a defoamer in the recovery tank to reduce foam, prolonging the life of the Grand Prix™ vacuum motor .

HP100 GRAND PRIX™ 45 DEGREE SPOUT DRAIN



When the float shuts off vacuum, empty tank. Pull lever located at the back of the machine to release water.

GENERAL INFORMATION

Dear Customer:

Congratulations on the purchase of your new HP100 Grand Prix™. As you are already aware, the scene of the equipment world is becoming more high tech, and we at Mytee Products Inc. strive to keep you on the cutting edge with superior quality and technology.

Keep in mind that the HP100 Grand Prix™ is a machine, so neglect or abuse will cause unnecessary damage and void the warranty. However with simple maintenance the HP100 will give quality performance for many years to come.

If warranty questions arise, please consult your user manual or get in touch with your distributor. If you have questions about maintenance, replacing parts or ordering parts, please call an authorized Mytee Products Inc. Service Center. To see an updated list, visit our website at www.mytee.com

Before you begin cleaning, please read your manual thoroughly.

Sincerely,
Mytee Customer Care Dept.

Grounding Instructions

This machine must be grounded. If it should malfunction or breakdown, grounding provides a path of least resistance for electrical shock. This machine is equipped with a cord having an equipment-grounding conductor and grounding plug. The plug must be plugged into an appropriate outlet that is properly installed in accordance with all local code and ordinances. Do not remove ground pin; if missing, replace plug before use.



DANGER

Improper connection of the equipment-grounding conductor can result in a risk of electric shock. Check with a qualified electrician or service person if you are in doubt as to whether the outlet is properly grounded. Do not modify the plug provided with the machine. If it will not fit the outlet, have a proper outlet installed by a qualified electrician.

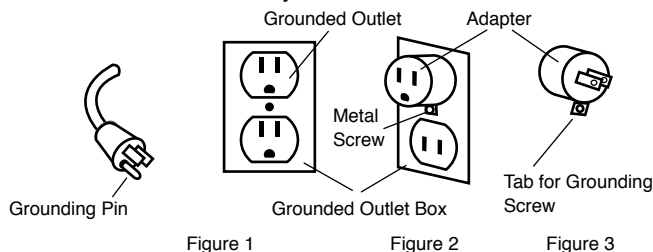
This appliance is for use on a nominal 120-volt circuit, and has a grounding plug that looks like the plug illustrated in Figure 1 below. A temporary adapter illustrated in Figures 2 and 3 may be used to connect this plug to a 2-pole receptacle as shown in Figure 2 if a properly grounded outlet is not available. The temporary adapter should be used only until a properly grounded outlet (Figure 1) can be installed by a qualified electrician. The green colored rigid ear, tab or the like extending from the adapter must be connected to a permanent ground such as a properly grounded outlet box cover. Whenever the adapter is used, it must be held in place by a metal screw. Grounding adapters are not approved for use in Canada.

Replace the plug if the grounding pin is damaged or broken.

The Green (or GreenYellow) wire in the cord is the grounding wire. When replacing a plug, this wire must be attached to the grounding pin only.

DO NOT use extension cords.

Please Note for America use only



Parts and Service

Repairs, when required, should be performed by Mytee service personnel or Mytee authorized Service Center using Mytee original replacement parts and accessories. Call Mytee for repair parts or service. Please specify the Model and Serial Number when discussing your machine.

Name Plate

The Model and Serial Number of your machine are shown on the Nameplate on the back panel of the machine. This information is needed when ordering repair parts for the machine. Use the space provided on the front cover to note the Model and Serial Number of your machine for future reference.

Unpacking the Machine

When the machine is delivered, carefully inspect the shipping carton and the machine for damage. If damage is evident, save the shipping carton so that it can be inspected by the carrier that delivered it. Contact the carrier immediately to file a freight damage claim.

Caution and Warnings

Symbols

Mytee uses the symbols below to signal potentially dangerous conditions. Always read this information carefully and take the necessary steps to protect personnel and property.



DANGER

Is used to warn of immediate hazards that will cause severe personal injury or death.



WARNING

Is used to call attention to a situation that could cause severe personal injury.



CAUTION

Is used to call attention to a situation that could cause minor personal injury or damage to the machine or other property. When using an electrical appliance, basic precautions should always be followed, including the following: Read all instructions before using this machine. This product is intended for commercial use only.



WARNING

To reduce the risk of fire, electrical shock, or injury:

1. Read all instructions before using equipment.
2. Use only as described in this manual. Use only manufacturer's recommended attachments.
3. Always unplug power cord from electrical outlet before attempting any adjustments or repairs.
4. Do not unplug by pulling on cord. To unplug, grasp the plug, not the cord.
5. Do not pull or carry by cord. Do not close a door on cord or pull cord around sharp edges or corners.
6. Do not run appliance over cord. Keep cord away from heated surfaces.
7. Do not use with damaged cord or plug. If cord is damaged, repair immediately.
8. Do not use outdoors or on wet surfaces and or standing water.
9. Always unplug or disconnect the appliance from power supply when not in use.
10. Do not allow to be used as a toy. Close attention is necessary when used by or near children.
11. Do not use in areas where flammable or combustible material may be present.
12. Do not leave the unit exposed to harsh weather elements. Temperatures below freezing may damage components and void warranty.
13. Use only the appropriate handles to move and lift unit. Do not use any other parts of this machine for this purpose.
14. Keep hair, loose clothing, fingers, and all parts of the body away from all openings and moving parts.
15. Use extra care when cleaning on stairs.
16. To reduce the risk of fire or electric shock, do not use this machine with a solid-state speed control device.
17. The voltage and frequency indicated on the name plate must correspond to the wall receptacle supply voltage.
18. When cleaning and servicing the machine, local or national regulations may apply to the safe disposal of liquids which may contain: chemicals, grease, oil, acid, alkalines, or other dangerous liquids.
19. Do not leave operating unattended.

Filling the Solution Tank

1. Fill the solution tank with the approved cleaning solution.
2. Do not fill up the solution tank completely: 1" should be left free at the top.
3. Typically, the solution should be a mixture of water and a cleaning chemical appropriate for the type of job.
4. Always follow the dilution instructions on the chemical container label.
5. The temperature of the cleaning solution must not exceed 70°C/160°F.



CAUTION

Use only non-flammable liquid in this machine.

Setup

1. Open lid of solution tank. Fill solution with water or approved cleaning agent. For best results, fill with warm water (140°).



WARNING

Flammable materials can cause an explosion or fire. Do not use flammable solutions or materials in tank(s).

FOR SAFETY: When using machine, follow mixing and handling instructions on chemical containers.

ATTENTION: If using powdered cleaning chemicals, mix prior to adding.

2. Attach solution hose (located front of machine). NOTE: Make sure the quick disconnect snap together firmly. As you do this, always inspect hoses for cracks or fraying. Do not use if hoses are damaged.
3. Attach other end of solution hose to wand.
4. Attach vacuum hose to recovery tank.
5. Plug machine's cord into a grounded wall outlet. FOR SAFETY: Do not operate machine unless cord is properly grounded. FOR SAFETY: Do not operate machine with the use of an extension cord.
6. Turn on pump. Key tool until you have a steady flow.
7. Release tool trigger. Turn on heater.
8. Wait 8–10 minutes for unit to pre-heat.
9. Re-key upholstery tool until hot water begins flowing.
10. Once hot water is flowing, release trigger and pre-heat an additional 4–5 minutes.
11. Turn on vacuum motor.
12. Begin cleaning. Make two dry passes to every wet pass.
13. For floor cleaning, unplug tool and attach floor wand.
14. Work away from cords to avoid damage.
15. Use a defoamer in your recovery tank.
16. To clean heavily soiled areas, repeat cleaning from different directions.
17. When float shuts off vacuum, empty tanks.
18. When work is complete, unplug cords and hoses.
19. Wrap and clean hoses. Clean all tanks.

Pre-Operation

1. Vacuum carpet and upholstery and remove other debris.
2. Perform machine setup procedures.
3. Inspect power cord for damage.

Operation

1. Turn pump switch on.
2. Pull up on tool lever to release air in the line. Hold lever until a steady flow of water comes out of the wand.
3. Once pump is primed and there is pressure in the solution line, turn on heater switch (if model is equipped with heater) and wait a few minutes for water to heat up.
4. Once water is heated, turn on vacuum and begin cleaning.

Note: When cleaning upholstery, always check manufacturer's cleaning instructions.



CAUTION

1. Work away from outlet and power cord to prevent cord damage.
2. Use a recommended foam control solution in the recovery tank to prevent vacuum motor damage. Periodically check for excessive foam buildup in solution tank, and recovery tank.
3. To clean heavily soiled areas, repeat cleaning path from different direction.
4. When ball float shuts off vacuum, it is time to empty the dirty water from the recovery tank, and refill solution tank.
5. After cleaning, relieve water pressure from tool before disconnecting hose. Squeeze trigger for five seconds after turning main power switch off.

After Use

1. Unplug.
2. Empty solution tank and rinse it with clean water.
3. Inspect hoses and replace if damaged.
4. Inspect solution filter. Clean or replace if damaged.
5. Store the machine in a clean, dry place.
6. Open recovery tank cover to promote air circulation.

Maintenance Schedule

Maintenance item	Daily	Once a week
Clean and inspect Tanks	x	
Clean and inspect Hoses	x	
Check filters	x	
Check power supply cable	x	
Clean machine with all purpose cleaner and cloth	x	
Check spray nozzles		x
Flush solution system with Mytee system maintainer		x
Remove and clean float shut-off screen from tank		x
Inspect vacuum hoses for holes and loose cuffs		x

Trouble Shooting

There is no power.

1. Plug machine in proper outlet.
2. Check circuit breaker; reset circuit breaker, other items should not run on the same circuit as machine. Outlet must be a 20-amp circuit.

Pump does not work properly.

1. Snap quick disconnects firmly together.
2. Check solution tank; may be empty.
3. Jets clogged, remove jet and flush clean.
4. Filters clogged, remove filters and rinse clean with water.
5. Heater is blocked; flush out with Mytee's system maintainer.
6. If brass check valve is stuck replace valve.
7. Check pump wire. May need to reconnect wire.
8. Switch plate switch may need to be replaced.
9. If pump motor brushes are worn, replace pump.

Heater does not work properly.

1. If sensor mounted on the heater has popped, reset sensor by pushing in button.
2. Heating element may need to be replaced.

Vacuum motor does not work properly.

1. Check that hose is tightly connected.
2. Close drain hose valve completely.
3. Secure the vacuum tank tightly.
4. If ball float is shut off, empty vacuum tank of all wastewater.
5. Make sure ball float is firmly installed on the elbow.
6. If water is coming out of vacuum motor, use a low foaming detergent.
7. Clean upholstery tool or floor wand jets.

Accessories (optional)

2200H Airmover
 3601 System Maintainer
 2700 Mytee-Dry
 8390 Wand
 8700 Crevice Tool
 3000 Tradewind™
 HP-Dry Vehicle Drying Kit

FAQs

Q: How much does the HP100 weigh and what are the shipping dimensions?

A: 85 Pounds - Box dimensions are 29" x 18" x 36". Must ship motor freight.

Q: What comes standard with the HP100?

A: The HP100 comes with a hose hanger (H375), four screws, a 25' 12/3 Cord, 15' 1-1/4" Vacuum/Solution Hose (8501), a 3" Stainless Steel Upholstery Tool (8400), and a Cuff-Lynx™ reducer (H122).

Q: Does Mytee recommend a tool for the machine?

A: A variety of tools can be used with the unit, including our 8390 wand, 8700 crevice tool, and 8400 upholstery tool. Also our HP-Dry kit can be used for drying interiors and exteriors.

Q: Where do I plug the machine in?

A: The HP100 requires a 20A grounded circuit. Please note: GFI outlets may trip before the breaker setting.

Q: What is the proper pre heat cycle for the HP100?

A: Turn pump switch to the on position and prime pump through the solution hose and the tool. Then turn the heater switch to the on position. Let the machine sit idle for 8-10 minutes. Spray tool until you feel the hot water from the jet. Let machine sit idle for an additional 3-5 minutes. This will insure the water in the heater and hoses will be at the hottest point to start cleaning.

GENERAL INFORMATION

Q: Are the pumps re-buildable for the HP100?

A: Yes, both the seals and the pistons have repair kits available. Please see the pump manual that shipped with your machine for the maintenance schedule.

Q: Is there anything I can do to increase the expected life of my machine?

A: Running the vacuum motors with the tank empty and lid off will allow excess moisture in the vacs to dry off. You should also run a System Maintainer through the system to keep the hoses, pump, and heater clean and free of debris.

Warranty

MYTEE LIFETIME LIMITED WARRANTY POLICY

Mytee Products, Inc. endeavors to provide high quality products and product support to its customers and therefore backs up all of its new products purchased from Mytee Products Inc. ("Mytee") or any authorized Mytee distributor/service center with this lifetime limited warranty. This limited warranty begins on the date of the customer's purchase and is valid and available to the original purchaser with proof of purchase, and is not transferable. Mytee's products are for commercial use only and are not intended for personal, family or household uses.

HOUSING LIMITED LIFETIME WARRANTY: Mytee warrants for life that its rotationally-molded housings will be free from manufacturing defects. This warranty covers the cost of replacement or repair only and does not cover shipping or labor costs.

WEAR PARTS 90-DAY LIMITED WARRANTY: Mytee will replace all wear parts for 90 days from the date of original purchase. "Wear parts" are items which wear out as a result of usage or the passage of time and are consumed despite attempts to maintain them, such as gaskets, wheels, brass, cords, wires, electrical terminals, hoses, switches, thermostats, plastisol parts, filters, bearings, brushes, solenoids, o-rings, bulbs, heating elements, castors, or other parts deemed wear items in Mytee's sole discretion. This warranty covers the cost of replacement only and does not cover shipping or labor costs.

PUMP, VACUUM MOTOR AND HEATER ONE-YEAR LIMITED WARRANTY: Mytee warrants that pumps, vacuum and floor machine motors, and heaters will be free from manufacturing defects, defects in workmanship, and defects in material for two (1) year from the date of original purchase. This warranty does not apply and is void if the pump, vacuum motor, or heater has worn brush motors, water damage, chemical build-up, chemical damage, or evidence of abuse, neglect or tampering. This warranty covers the cost of replacement or repair only and does not cover shipping or labor costs.

HOWEVER, OTHER THAN SET FORTH HEREIN, MYTEE GIVES NO WARRANTY, EXPRESS OR IMPLIED, AS TO DESCRIPTION, QUALITY, MERCHANTABILITY, FITNESS FOR ANY PARTICULAR PURPOSE, PRODUCTIVENESS, INFRINGEMENT, OR OTHER MATTER, OF ANY GOODS WHICH MYTEE SHALL SUPPLY. THERE ARE NO WARRANTIES WHICH EXTEND BEYOND THE DESCRIPTION ON THE FACE HEREOF. MYTEE SHALL IN NO WAY BE RESPONSIBLE FOR THE PROPER USE AND APPLICATION OF THE GOODS. MYTEE NEITHER ASSUMES NOR AUTHORIZES ANY OTHER PERSON TO ASSUME FOR MYTEE ANY OTHER LIABILITY IN CONNECTION WITH THE SALE OF MYTEE'S GOODS. THIS LIMITED WARRANTY POLICY MAY BE CHANGED OR WITHDRAWN BY MYTEE AT ANY TIME WITHOUT NOTICE.

LIMITATION OF DAMAGES: THE REMEDY OF REPLACEMENT OR REPAIR OF ANY DEFECTIVE GOODS SHALL BE THE EXCLUSIVE REMEDY UNDER ANY WARRANTY MADE BY MYTEE, WHETHER EXPRESS OR IMPLIED. IN NO EVENT SHALL MYTEE BE LIABLE FOR ANY INCIDENTAL OR CONSEQUENTIAL DAMAGES, PROPERTY DAMAGES, OR PERSONAL INJURIES.

All limited warranties are void for, and Mytee does not warrant in any way, any product that evidences misapplication, improper installation, abuse, lack of maintenance, negligence in use or care, abnormal use, alteration of design, modification, use of incompatible or corrosive chemicals, use in a rental service, and/or servicing, installation of parts, or repairs by anyone other than Mytee or a Mytee authorized distributor or service center. Mytee may make changes in products it manufactures and markets at any time; these changes are made without obligation to change, retrofit, or upgrade any product previously sold or manufactured.

Mytee has no obligation to honor the limited warranties set forth herein unless the original purchaser, promptly upon discovering the warranty claim and prior to continuing to use the product, contacts Mytee or a Mytee authorized distributor or service center to describe the claim and to receive and follow instructions for documenting and resolving the claim. In addition, the purchaser must provide the product to which the claim applies to Mytee or a Mytee authorized distributor or service center for a thorough inspection. In addition, the purchaser must provide/return the product intact, unmodified, with all of its original parts.

If any provision or portion of this limited warranty policy is found to be unenforceable, then the remaining provisions and portions shall remain valid and enforceable.

If any provision or portion of this limited warranty policy is found to be limited by law, then that provision or portion shall be construed to make it effective within the bounds of law. For example, if there are legal limitations on the duration of warranties, the warranties made herein shall be construed to have the minimum duration required by law, or, if there are legal limitations of exclusion of remedies, the exclusions made herein shall be construed to apply to the fullest extent possible without violating the law.

The validity, construction and performance of this warranty policy shall be governed by the laws of the State of California, without respect to conflicts of laws principles. The exclusive jurisdiction of any legal action arising from or related to this warranty policy shall be in the State of California and no legal action shall be commenced elsewhere.

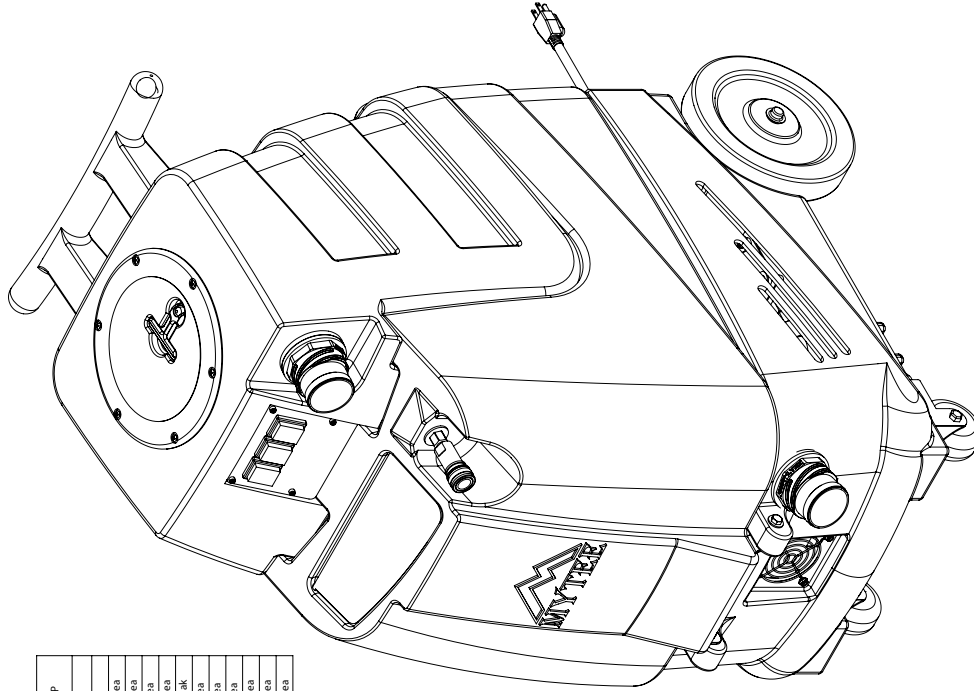
Return Material Authorization Procedure

It is the responsibility of any Authorized Service Center (ASC) or Distributor with written authorization to ensure the Customers equipment is repaired as soon as possible. Only Mytee Products Inc. or it's authorized dealers with written authorization, service centers, and agents may make warranty repairs on these products. All others do so at their own risk and expense.

The Distributor must follow Mytee Products, Inc. standard RMA procedure:

1. When a repair falls within the Warranty time period for a piece of equipment, the Distributor will fill out a RMA/Warranty claim form. This form will act as a repair order to replace any defective parts.
2. All defective parts must be returned to Mytee Products, Inc. with the RMA/claim form for evaluation at the customer's expense. This shipping is non-refundable. All warranty claims are subject to an evaluation by Mytee Products, Inc. to determine if warranty will be approved. Any credit for repair and/or parts will only be issued upon evaluation and approval from Mytee Products, Inc.
3. When Warranty is approved, the Distributor's account will be credited for the replacement part(s). Mytee Products, Inc. will ship the warranted replacement part(s) to the Distributor prepaid. If Warranty is denied the Distributor's account will not be credited for any parts sent for this claim.

HP100 GRANDPRIX™ PARTS & PRICING



ITEM NO.	PART NO.	DESCRIPTION	QTY.	MSRP
81	H304	screw, #8 x 5/8 phl oval, s/s	6	\$0.99 ea
82	G083	gasket, 2" inlet	1	\$2.49 ea
83	A926	elbow, inlet assembly, 2"	1	\$15.99 ea
84	P758	vac tank, firebird	1	\$186.99 ea
85	H225	valve, drain, 1-1/2"	1	\$20.99 ea
86	H226	sput, drain, 45 degree	1	\$3.19 ea
87	H300A	bracket, 1"	2	\$6.99 ea
88	H934	plate, switch, hp 100/2001CS	1	\$6.99 ea
89	E515	switch, rocker, 2 position	3	\$13.99 ea
90	H246	screw, #8-32 x 3/8" SHCS, alloy, Black	4	\$0.99 ea

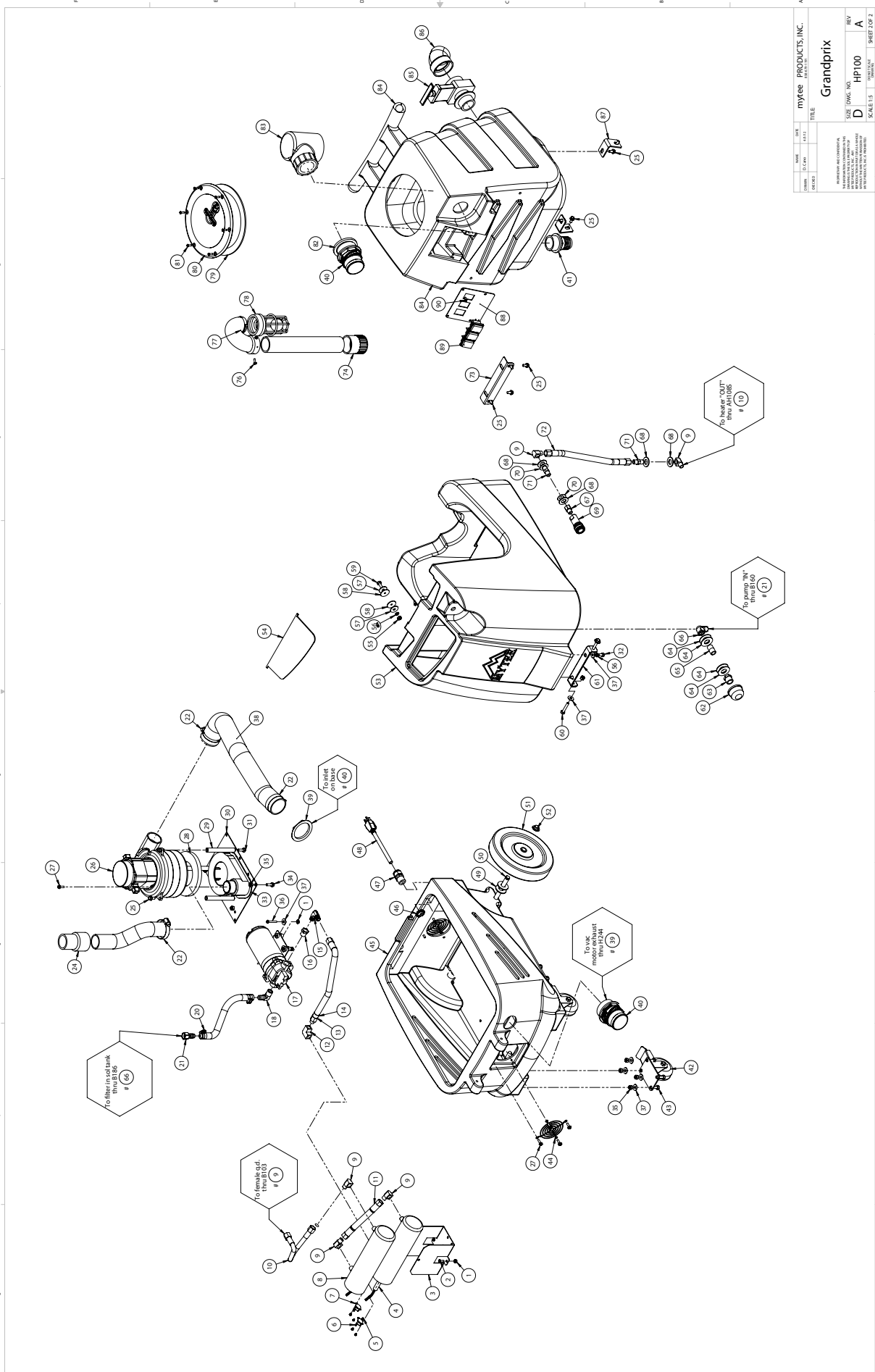
ITEMS NOT SHOWN:

PART NO.	DESCRIPTION	QTY.	MSRP
ADH-HP100	manual, snyder	1	N/A
AD127	stop sign, register your product	1	N/A
A935	sol hose, pig tail, 1/8" x 7' 1/2"	1	\$14.99 ea
A942	sol hose, 1/4" x 16', 3000 psi	1	\$71.99 ea
B101	quick disconnect, male, 1/4" male x 1/4" fpt	2	\$8.49 ea
B102	quick disconnect, 1/4" female x 1/4" fpt	1	\$17.99 ea
G085	piglet filter	1	\$6.29 pak
G088	gasket, strip, 3/4" x 3/8" x 1/8"	5	\$3.49 ea
G147	strap, velcro, w/buckle	4	\$0.99 ea
H230	screw, 10-32 x 1/2" phl pan head, s/s	4	\$0.99 ea
H232	hood, upholstery, s/s w/valve	1	\$98.99 ea
H275	hanger, wire formed, hose	1	\$10.99 ea
H701	hose, vac, 15' x 1-1/4" w/1-1/2" black cuffs	1	\$44.99 ea

ITEM NO.	PART NO.	DESCRIPTION	QTY.	MSRP
28	H273	nut, hex, #10-32 zinc	6	\$0.99 ea
1	H230	screw, 10-32 x 1/2" phl pan head, s/s	2	\$0.99 ea
3	H521	bracket, heater mounting, dial	1	\$29.99 ea
4	E571	heating rod, 600W, 115V	2	\$49.99 ea
5	H274	screw, #6 x 3/16, phl pan head, self-tapping	2	\$0.99 ea
6	E574	Thermostat, 310F ± 10F, Manual, 1/4"	2	\$17.99 ea
7	E573	Thermostat, 200F, Auto, 1/4"	2	\$16.49 ea
8	H934A	heater, aluminum, cast, single	2	\$78.99 ea
9	A11035	elbow, brass, 90 deg, 1/4" mpt x 1/4" fpt	5	\$4.49 ea
10	A11035	sol hose, 1/4" x 24' 1/2", (OAL) 1 x f/w, 3000psi	1	\$26.49 ea
11	AH156	hose, 3/8" x 65', (OAL) 1 x f/w, 5400 Gpm	1	\$53.99 ea
12	B207	elbow, brass, 90 deg, 1/4" fpt x 1/4" fpt	1	\$5.99 ea
13	B108	valve, brass, 1/4" check	1	\$13.99 ea
14	AH103	hose, 3/8" x 10', (OAL) 1 x f/w, surge, 1600psi	1	\$30.49 ea
15	B136	elbow, brass, 90 deg, 1/4" mpt x 1/4" mpt	1	\$4.99 ea
16	B105	bushing, brass, 3/8 mpt x 1/4" mpt	1	\$3.19 ea
17	G305	pump, 120psi, 115V	1	\$151.99 ea
18	B172	elbow, brass, 90 deg, 1/2" barb x 3/8 mpt	1	\$9.49 ea
19	PH615	sol hose, 1/2" kun 100psi	1	\$8.99 ea
20	H347	clamp, hose, 5/16-29/32	4	\$1.99 ea
21	B160	adapter, brass, 1/2" barb x 3/8 f/w, ball end	1	\$3.49 ea
22	H217	clamp, hose, 2-1/4 dia	3	\$1.49 ea
23	PH627	vac hose, 1-1/2", wire reinforced	1	\$6.49 ea
24	H300	cuff, hose, 1-1/2" x 1-1/2", wire	1	\$5.99 ea
25	H770	bolt, 1/4-20 x 1/2" serrated hex flange, zinc	11	\$0.99 ea
26	C302LA	vac motor, 3 stage, low amp	1	\$139.99 ea
27	H343	screw, #10 x 5/8" hex head, zinc	9	\$0.99 ea
28	G004	gasket, vacuum motor	1	\$8.99 ea
29	H501	vac support, 3 stage, 4-1/16"	3	\$4.99 ea
30	H330	plate, single manifold, 6.5" x 9"	1	\$7.99 ea
31	H202	bolt, 1/4-20 x 1/2" hex head, zinc	3	\$0.99 ea
32	H201	bolt, 1/4-20 x 1/2" hex head, zinc	2	\$0.99 ea
33	P735	manifold, single vac, no gasket	1	\$14.99 ea
34	H768	bolt, 1/4-20 x 3/4" serrated hex flange, zinc	3	\$0.99 ea
35	H216	nut, lock, 1/4-20, nylon insert, s/s	13	\$0.99 ea
36	H222	screw, 10-32 x 1-1/4" phl pan head, s/s	4	\$0.99 ea
37	H210	washer, 1/4" flat, s/s	16	\$0.99 ea
38	PH628	vac hose, 2", wire reinforced	1	\$89.99 ft
39	H020	nut, lock, 2", steel	1	\$4.99 ea
40	H135	Cuff-Lynx, 2" m cuffs, 2' mpt	2	\$3.99 ea
41	H229	inlet, pvc, 1-1/2", gray	1	\$5.99 ea
42	H667	caster, 3", Black Hub, Gray Tread	2	\$14.99 ea
43	H342	bolt, 1/4-20 x 1" hex head, s/s	8	\$0.99 ea
44	H296	guard, cooling fan, wire	2	\$2.99 ea
45	P756	base, firebird	1	\$147.99
46	H221	nut, lock, 1/2" steel	1	\$1.99 ea
47	H220	fitting, strain relief, cord	1	\$3.19 ea
48	E531	power cord, end, 25', 12/3 black	1	\$52.99 ea
49	H254	washer, a/c, cut 1/2" id	4	\$0.99 ea
50	H224	axle, 17-50 x 507 dia, fb	1	\$9.99 ea
51	H289	wheel, 8"	2	\$28.99 ea
52	H219	cap, axle, 1/2"	2	\$0.99 ea
53	P757	sol tank, firebird	1	\$149.99 ea
54	G061	cover, sol tank, fb	1	\$12.49 ea
55	H215	nut, hex, 1/4-20, s/s	2	\$0.99 ea
56	H213	washer, 1/4" lock, s/s	4	\$0.99 ea
57	H211	washer, 1/4" x 1" od, flat, s/s	4	\$0.99 ea
58	G062	washer, buna 1-1/8" od x 3/16" id	4	\$1.99 ea
59	H203	bolt, 1/4-20 x 1-1/4"	2	\$0.99 ea
60	H316	bolt, 1/4-20 x 1-1/2" hex head, zinc	2	\$0.99 ea
61	H378	bracket, front hinge, sp/rib	1	\$8.99 ea
62	B180A	filter, 1/4" filter 1/2"	1	\$6.49 ea
63	B210	bushing, brass, 1/2" mpt x 3/8" fpt, hex	1	\$2.49 ea
64	H299	washer, 1/16" ID x 1-1/2" OD x .075" S/S	4	\$0.99 ea
65	B216	nipple, brass, 3/8" x close	1	\$1.99 ea
66	B186	elbow, brass, 90 deg, 3/8 mpt x 3/8 fmp/pt	1	\$8.99 ea
67	B111	adapter, brass, extender, 1/4" mpt x 1/4" fpt, hex	1	\$3.49 ea
68	H212	flat washer, 9/16" ID x 1-1/16" OD, AN966-C916	4	\$0.99 ea
69	B102	qd, brass, 1/4" T	1	\$17.99 ea
70	H413	washer, nylon, 9/16" ID x 1-1/16" OD x .031	2	\$0.99 ea
71	B107	nipple, brass, 1/4" m, hex	2	\$3.19 ea
72	AH105	hose, 3/8" x 17-1/2', (OAL), 1 x f-w, surge, 1600psi	1	\$31.99 ea
73	H912	bracket, rear, fb/spy	1	\$9.99 ea
74	H244	adapter, pvc, 1-1/2" fms x fmp/pt	1	\$4.99 ea
75	PH633-11	pipe, pvc, 1-1/2"	1	\$4.99 ft
76	H297	screw, 8 x 1/2", hex head, zinc	3	\$0.99 ea
77	P755	elbow, U, 180, 1-1/2", float	1	\$8.99 ea
78	H235	float, 1.5", ball style	1	\$19.99 ea
79	G091	gasket, 7", vac lid	1	\$11.99 ea
80	G090	lid, vac tank, clear, 7"	1	\$36.99 ea

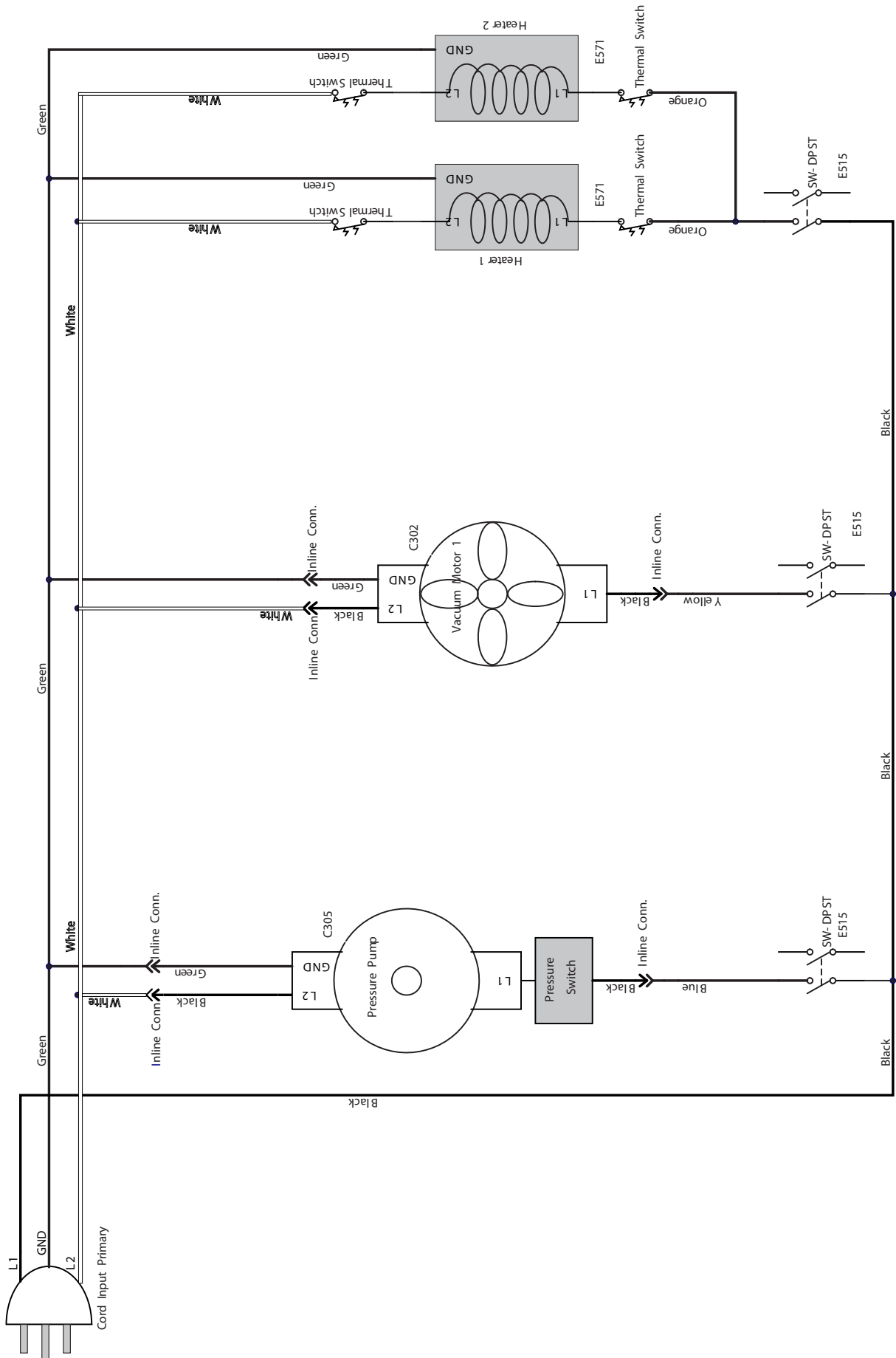
Order parts at: <http://www.mytee.com/products/hp100-grand-prix-automotive-detail-extractor> Part prices are subject to change.

HP100 GRANDPRIX™ PARTS & PRICING



DATE	REV	mytee PRODUCTS, INC.
12/15/11	1.0	12/15/11
ISSUE	1.0	12/15/11
SCALE	1:1	12/15/11
TITLE		
Grandprix		
DATE	ISSUE NO.	REV
12/15/11	HP100	A
SCALE 1:1		
SHEET 1 OF 2		

HP100 GRANDPRIX™ WIRING DIAGRAM



NOTES



Mytee Products Inc.
13655 Stowe Dr.
Poway, Ca. 92064
www.mytee.com
© 2013 Mytee Products Inc.
Printed in the U.S.A.